



PACKAGE CONTENTS: 1x Wyndham Tall Planter

DIMENSIONS: 40.6 cm W x 40.6 cm D x 71.8 cm H (16 W x 16 D x 28.25 H in.)

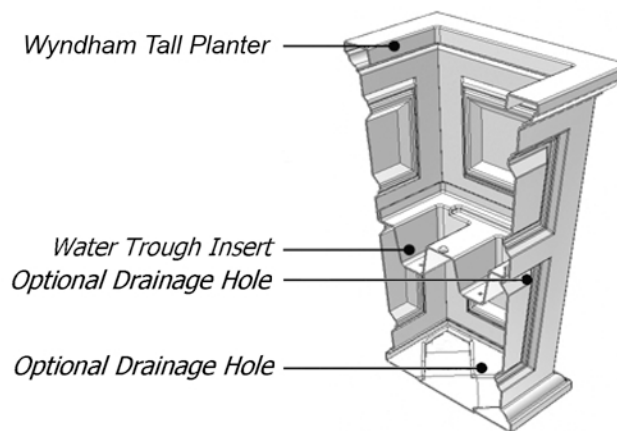
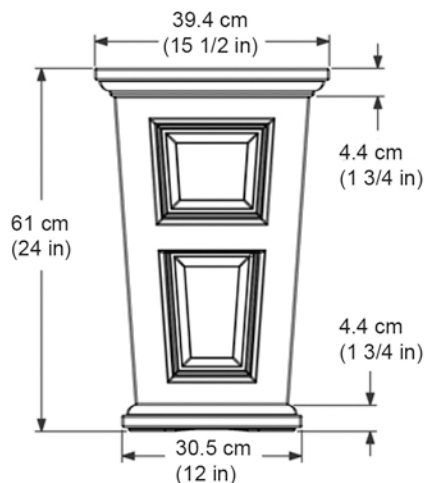
IMPORTANT NOTE:

- Drainage holes are not included and can be drilled in the desired location depending on the intended use of the planter. See instructions on the reverse side for more details.
- Do not overload the patio planters. Lightweight fillers and potting mixes are recommended and yield better plant growth.
- Suitable for flowers, herbs, vegetables, and small plants.

In the event of missing or defective parts, please email customerservice@gomayne.com or call our customer service department toll-free at 866-363-8834 (available Monday through Friday, 8am-5pm EST).

General Information:

- Read instructions carefully before beginning assembly.
- To clean the product: For best results use a soap solution and high-pressure water.
- On the reverse side of this instruction sheet there are a few potting recommendations, but please consult your local garden centre for more detailed information.
- The molded polyethylene construction is designed to withstand cold temperatures but you may wish to store the planter in a shed or garage for the winter to offer the best protection from extreme cold.



Cross Section

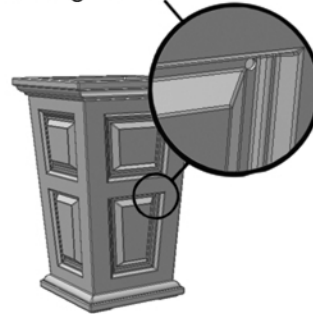
Drainage Holes:

Very Important: Depending on the intended use of the planter, the drainage holes need to be drilled in different locations.

Drainage Option #1:

To utilize the water reservoir system and create a self watering effect we recommend drilling a hole in the side of the planter as shown in the illustrations to the right. The overflow hole allows the planter to maintain the ideal amount of water to keep the plant roots moist and avoid oversaturation of the soil.

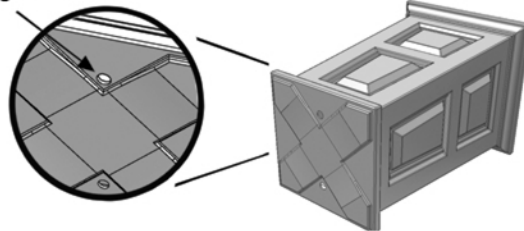
6.3 mm (1/4 in) drainage hole



Drainage Option #2:

To use the planter as a regular container planter simply drill one or two holes in the bottom to allow for proper drainage. The tray insert is completely optional and can be removed if it's not needed.

1.9 cm (3/4 in) drainage hole



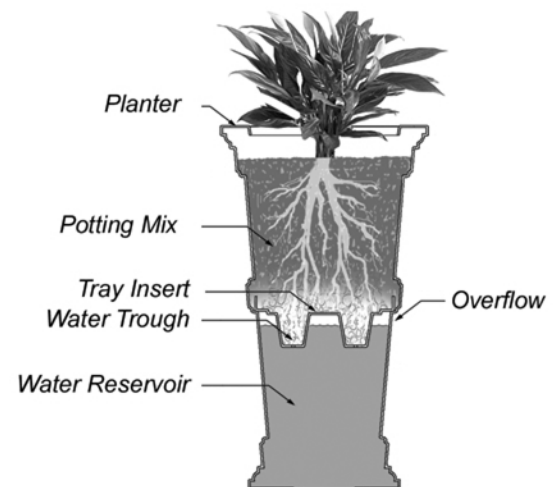
General Planting Recommendations:

To maximize the efficiency of the water reservoir system we recommend the following steps:

- 1) Pour water directly into the planter to fill the reservoir. Allow the excess water to pour out the overflow hole. When using the water reservoir the overflow hole should be drilled on the side as described above.
- 2) Next, add a couple inches of lightweight filler. This is optional but it reduces the amount of potting mix required, encourages faster root growth down into the troughs, and decreases the overall weight of the planter making it easier to move around. Some suggestions for lightweight fillers include lava rock or foam packing peanuts.
- 3) Fill the planter with a potting mix to within a couple inches of the top. Regular garden soil is not recommended since it compacts too easy and doesn't allow for proper aeration or drainage.
- 4) Start planting and enjoy!

Sub-Irrigation System

The Wyndham planter includes a tray insert that creates a sub-irrigation water reservoir at the bottom of the planter. As noted in the steps above, the water reservoir can be filled prior to planting. Alternatively, you can fill up the planter with potting mix first and with regular watering the reservoir will naturally fill up. Once the reservoir is full, capillary action allows water to soak upward keeping the soil and plant roots moist. The overflow hole drilled in the side of the planter allows drainage of excess water and prevents oversaturation. Regular watering is required for the first few weeks giving the root system time to develop. Once the roots have grown down into the troughs the plant will be able to pull moisture from the reservoir creating a self watering effect. With this system you will find the potting mix stays moist longer than traditional container planters. Please note that even with the reservoir and self watering effect, occasional watering is still needed.



NOTE: Results may vary depending on the type of plant and depth of the root system. The above information is only suggested and Mayne holds no liability for the condition or growth of your plants.